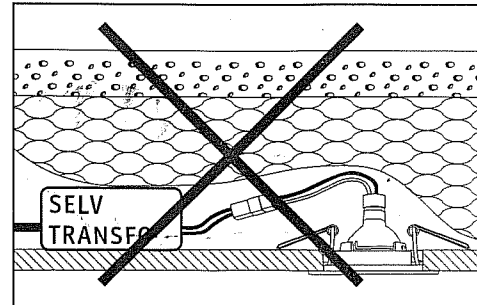
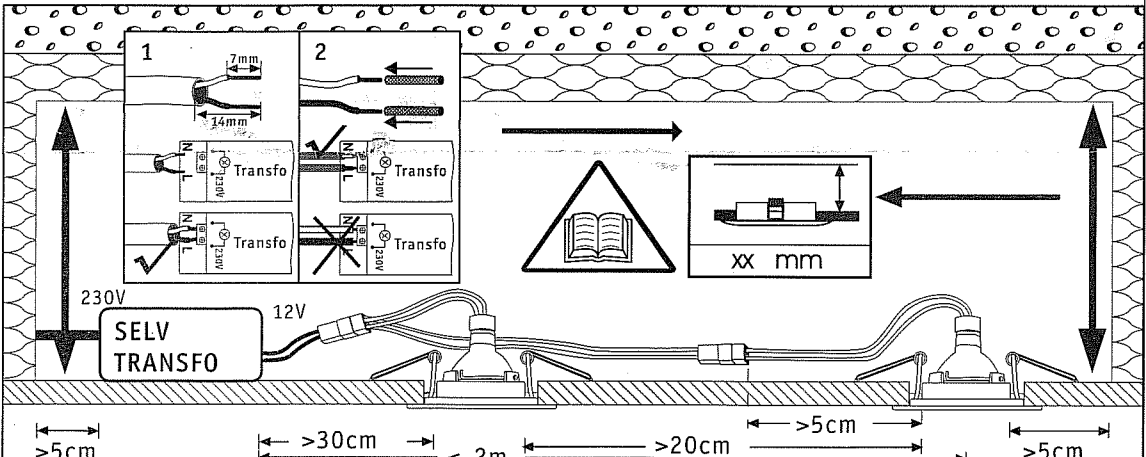
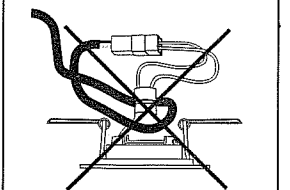
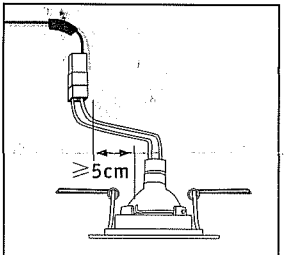
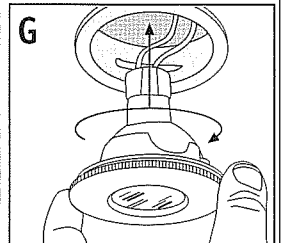
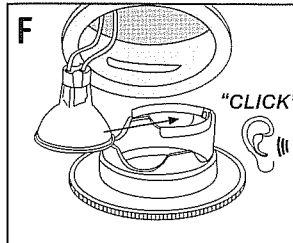
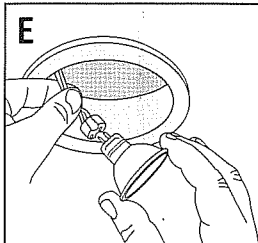
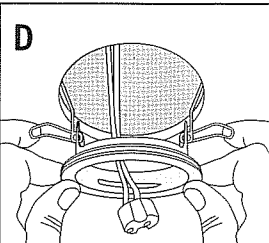
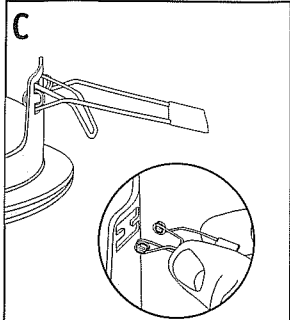
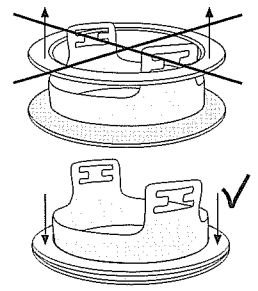
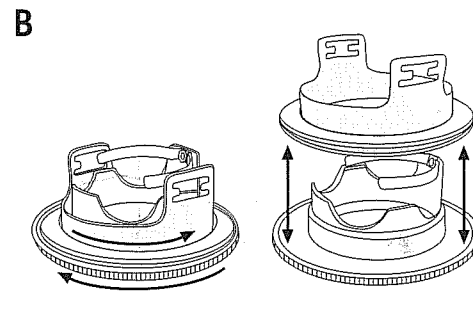
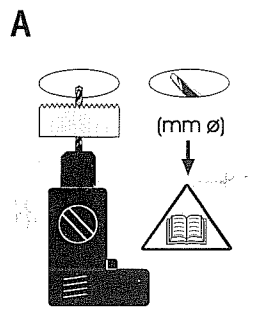
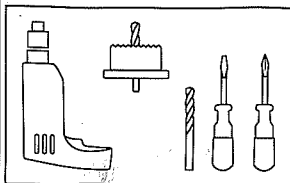




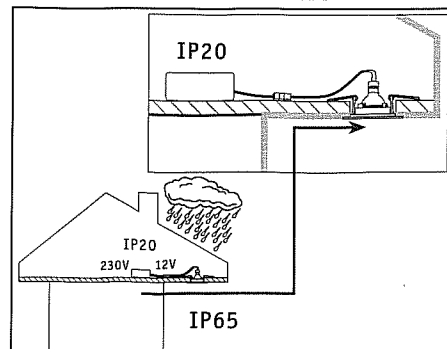
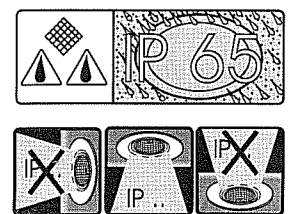
0,1,2,3,4,5b,7,8,9,10,  
11,12,15,16,17,19,20,  
21,22,23,25,26,27



Paulmann Licht GmbH  
31832 Springe / Germany  
www.paulmann.com



60 %				Wärmeverteilung Répartition de la chaleur Warmteverdeling Heat distribution Distribución térmica
40 %				
20 %				COOL BEAM SECURITY AKZENT
80 %				



Akzent Security	Coolbeam						
[W]	[W]	[mm]	[m]	[mmø]	[mm]	[cm]	[mm]
35	35	51	0.5	75	80	≥20	5-20