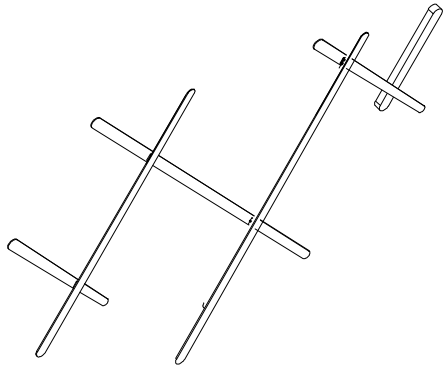


# INSTALLATION INSTRUCTION ODEON LIGHT 4231/36WL,4231/36WB Collection HIGHTECH



The shape is changeable before fixing

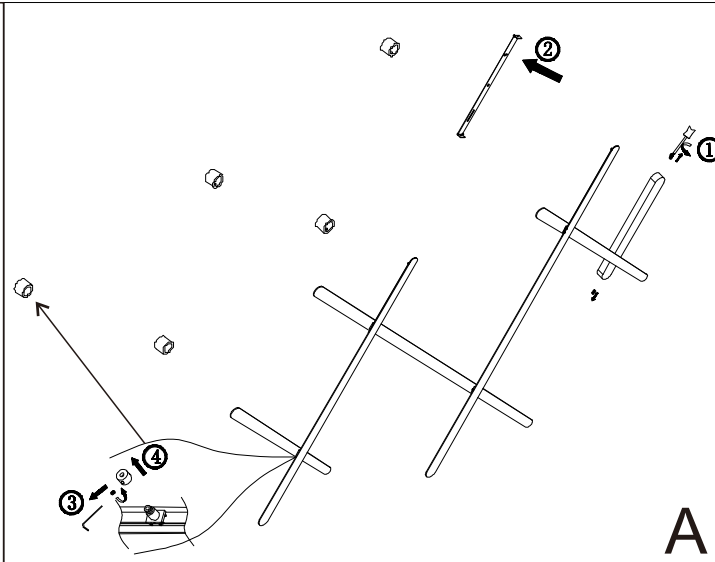
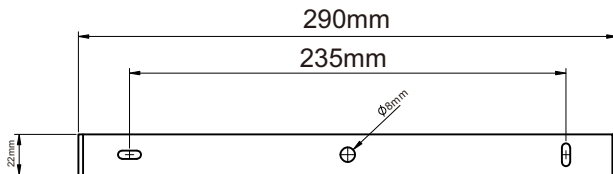
Can put the bottom cover in different positions to form different shapes

A, Remove the bottom cover from the bottom post with a screwdriver

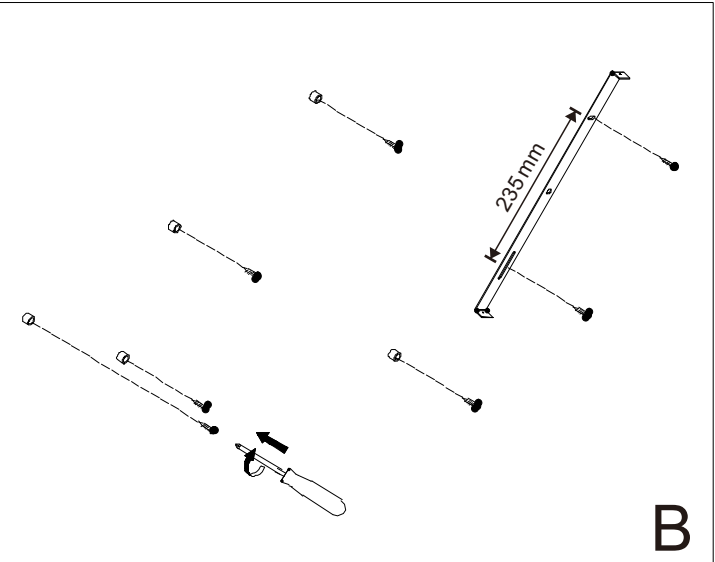
B, Hold the bottom cover in position you like, and fix the mounting bracket

C, Connect the wires

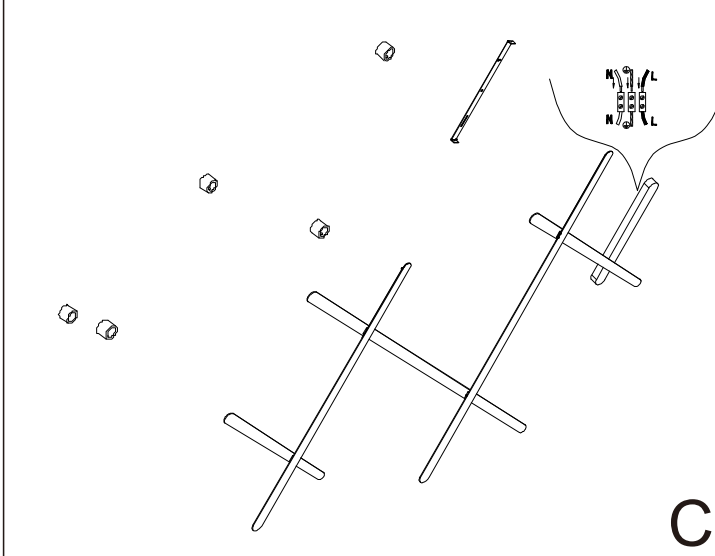
D, Fix the lamp body on the wall



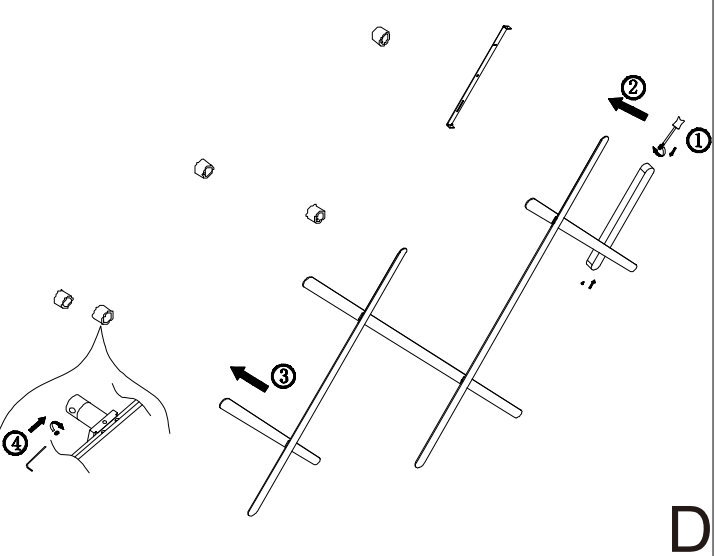
A



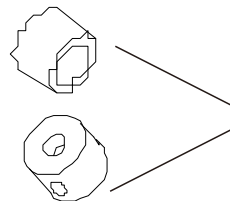
B



C



D



Bottom Cover



Bottom Pillar



Hexagonal wrench