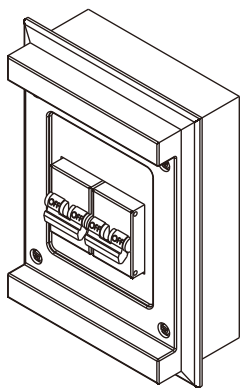


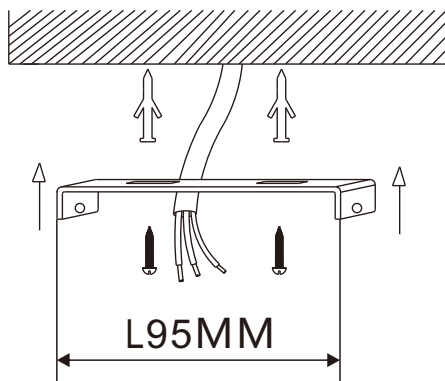
# INSTALLATION INSTRUCTION ODEON LIGHT COLLECTION PENDANT.3361/1,3362/1,3363/1

1

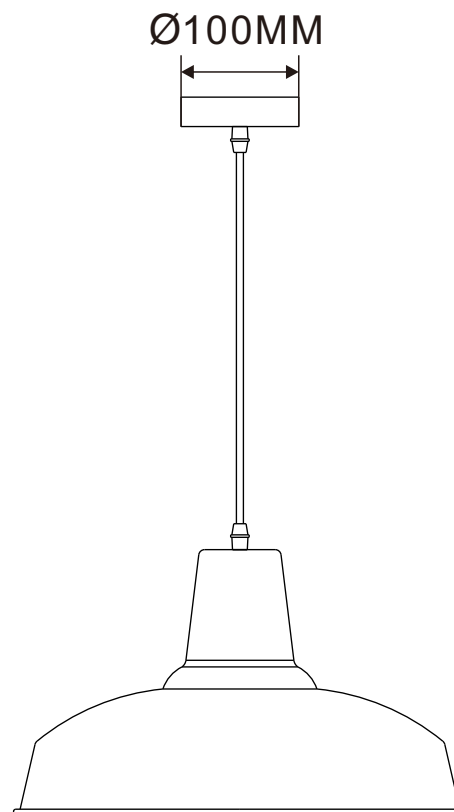
**OFF**



2

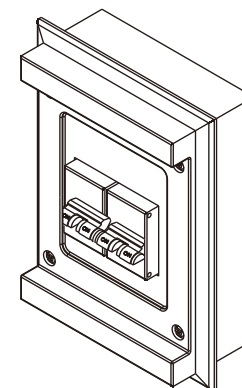


4



5

**ON**



3

