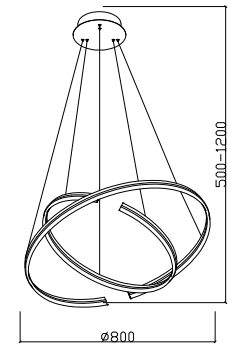
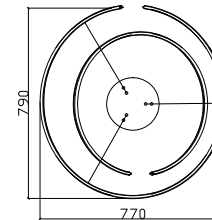
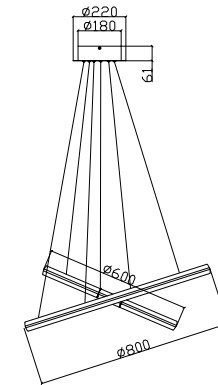
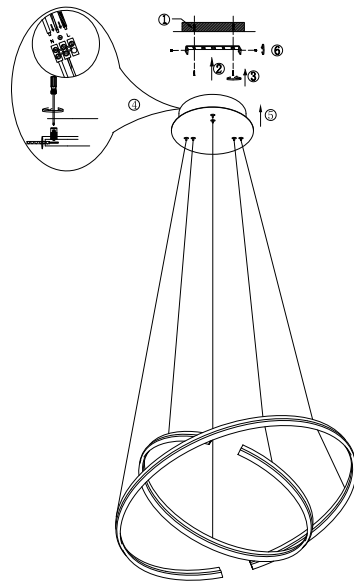


# Instruction

## MOD036PL-L80B



Gross Weight: 5 kg

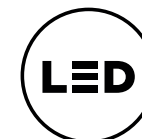
Net Weight: 3,5 kg

Volume: 0,092928 m3

Weight and Volume Margin of Error:  $\pm 10\%$

Color: Black

Material: Aluminum



MAX 80W  
4100 Lumen

Model: MOD036PL-L80B

Collection: Technical

Series: Azumi



Pendant Lamps