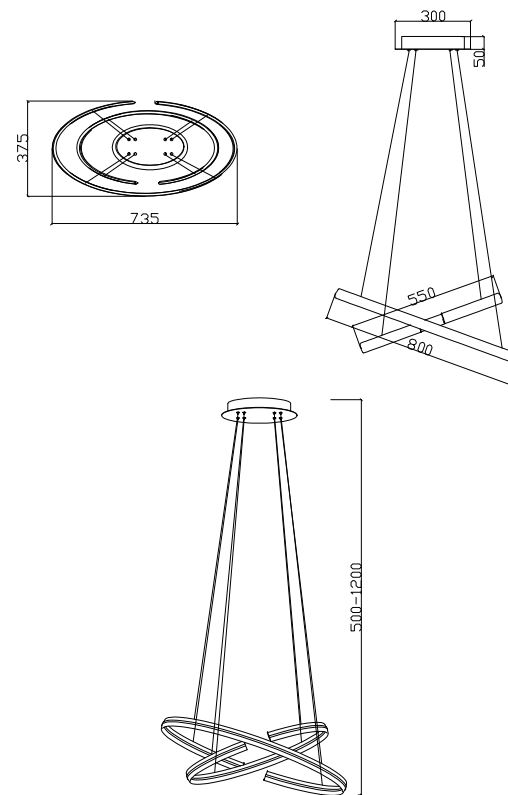
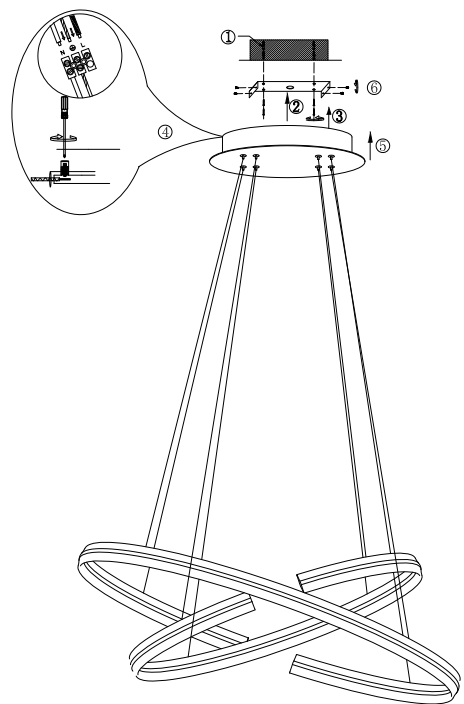


# Instruction

## MOD036PL-L70B



Gross Weight: 3,9 kg

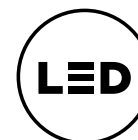
Net Weight: 2,8 kg

Volume: 0,049068 m3

Weight and Volume Margin of Error: ±10%

Color: Black

Material: Aluminum



MAX 70W  
3500 Lumen

Model: MOD036PL-L70B

Collection: Technical

Series: Azumi



Pendant Lamps