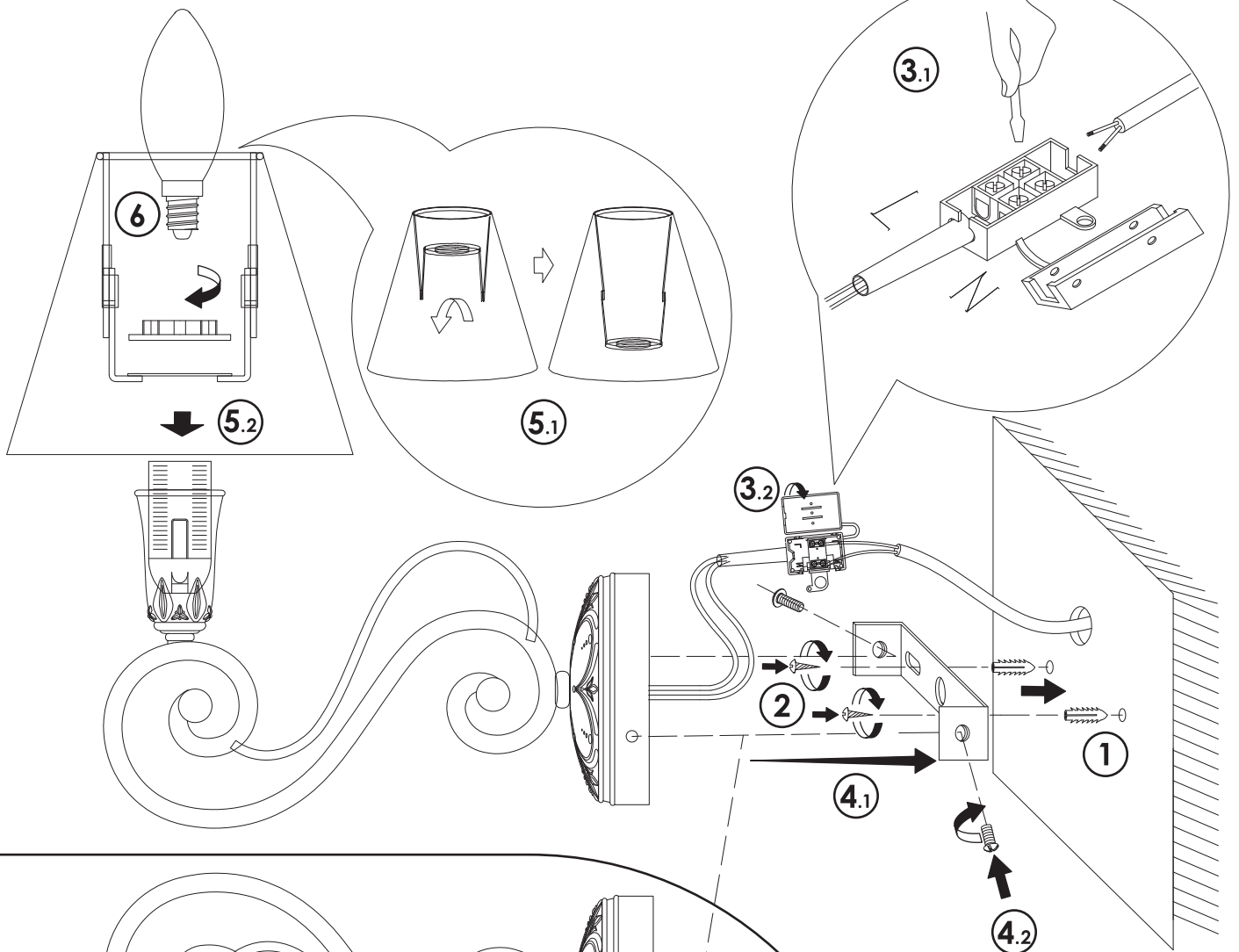
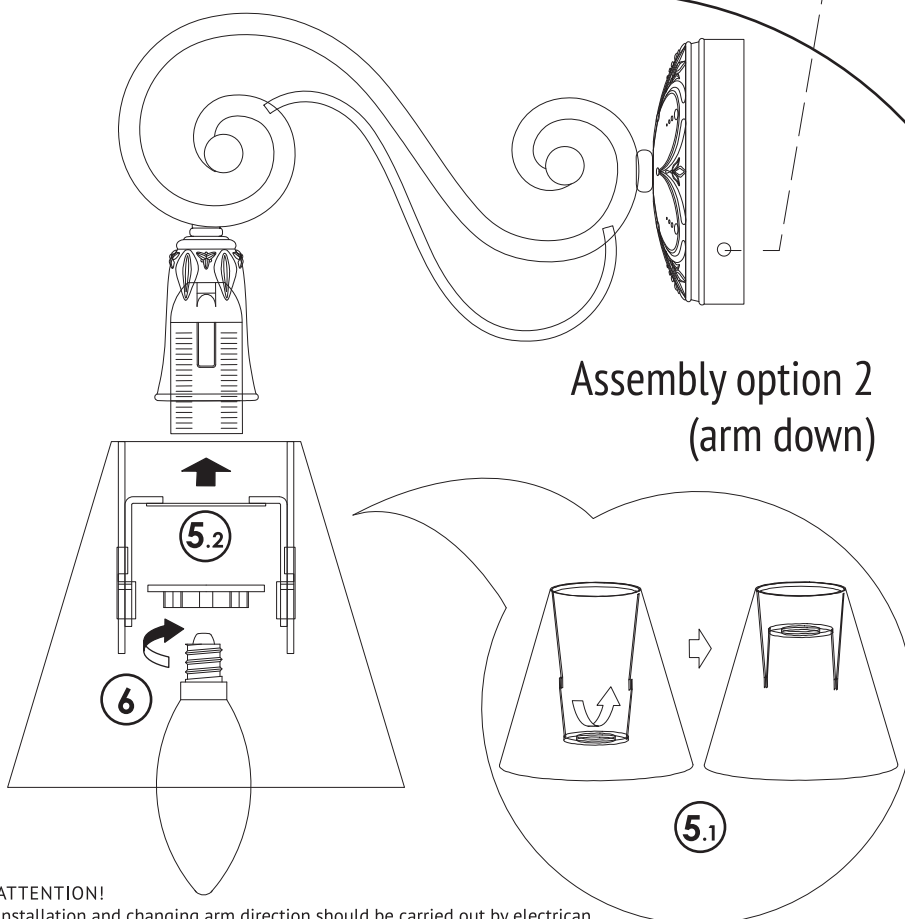


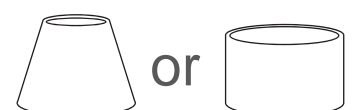
# Assembly option 1 (arm up)



# Assembly option 2 (arm down)



**ATTENTION!**  
Installation and changing arm direction should be carried out by electrician.  
Power should be cut off before cleanliness or bulbs changing



Wall-mounted

Instruction

