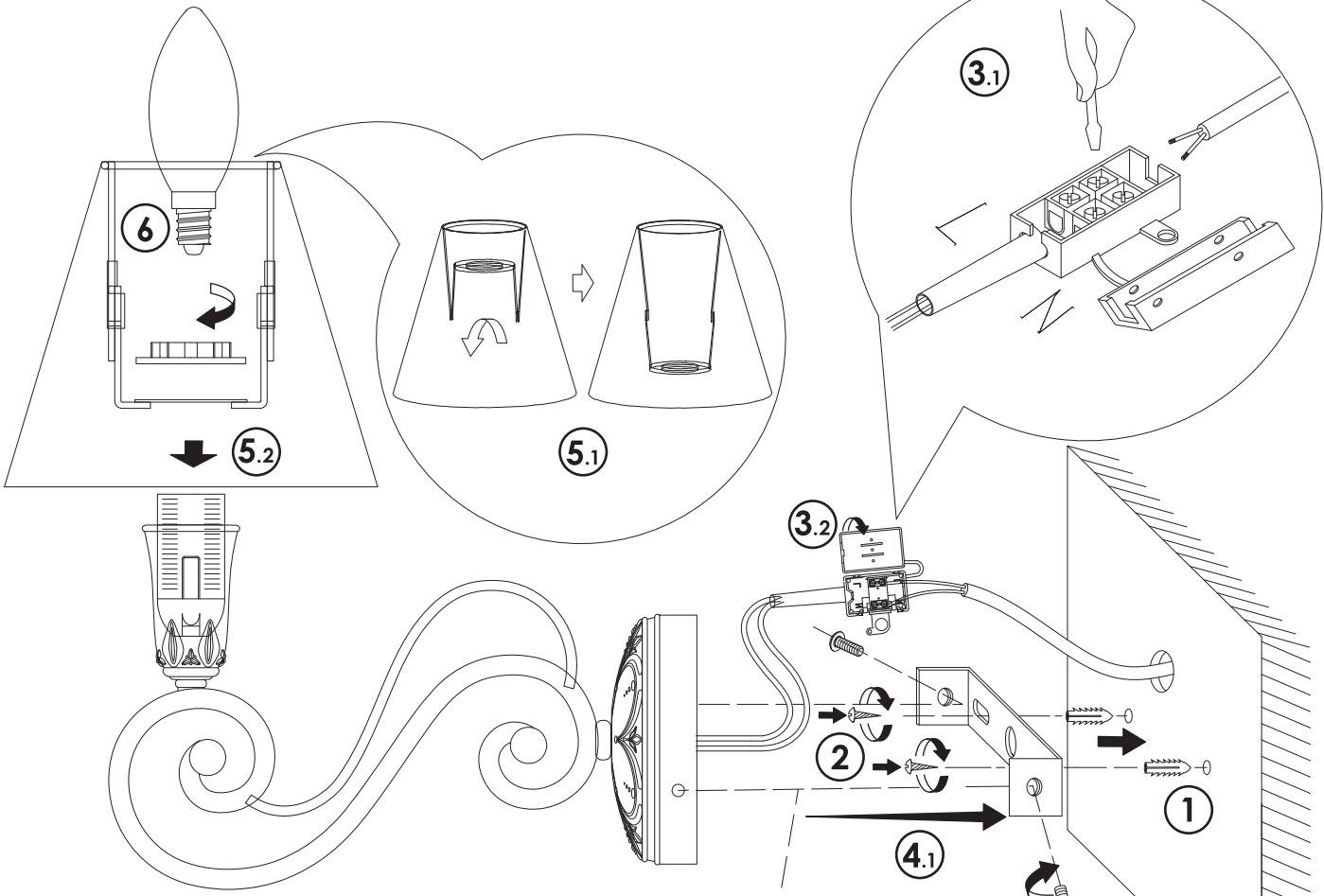
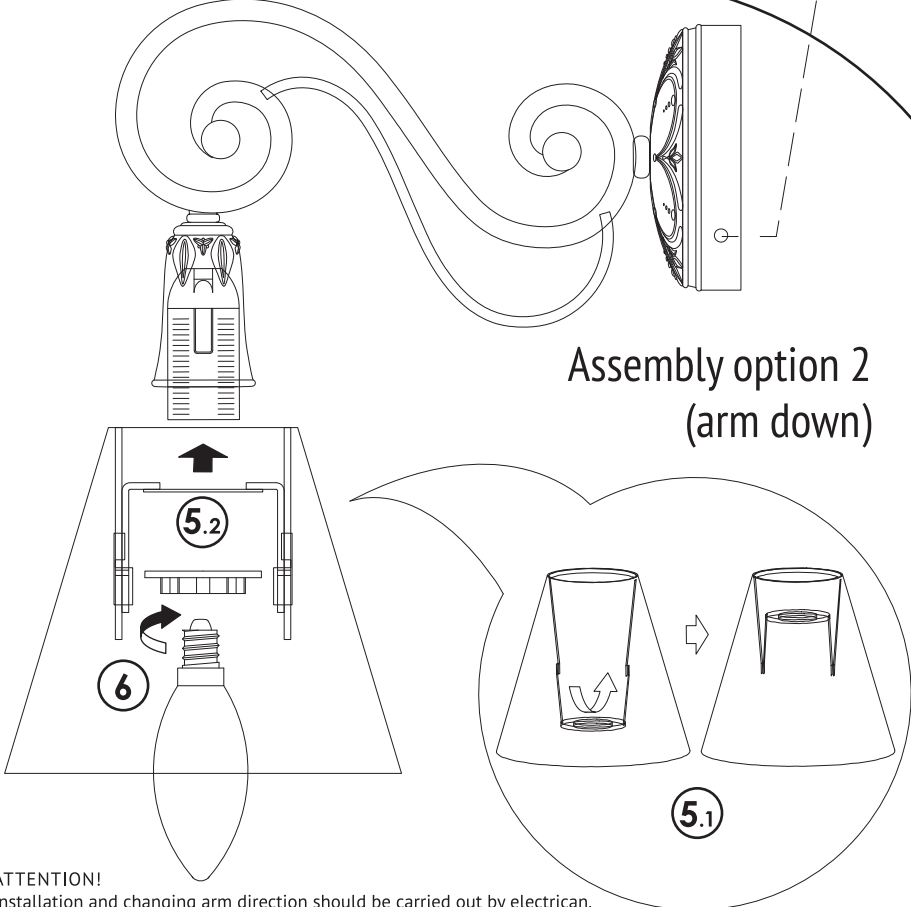


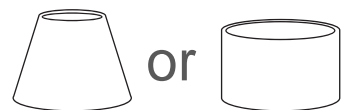
Assembly option 1  
(arm up)



Assembly option 2  
(arm down)



**ATTENTION!**  
Installation and changing arm direction should be carried out by electrician.  
Power should be cut off before cleanliness or bulbs changing



Wall-mounted

Instruction

