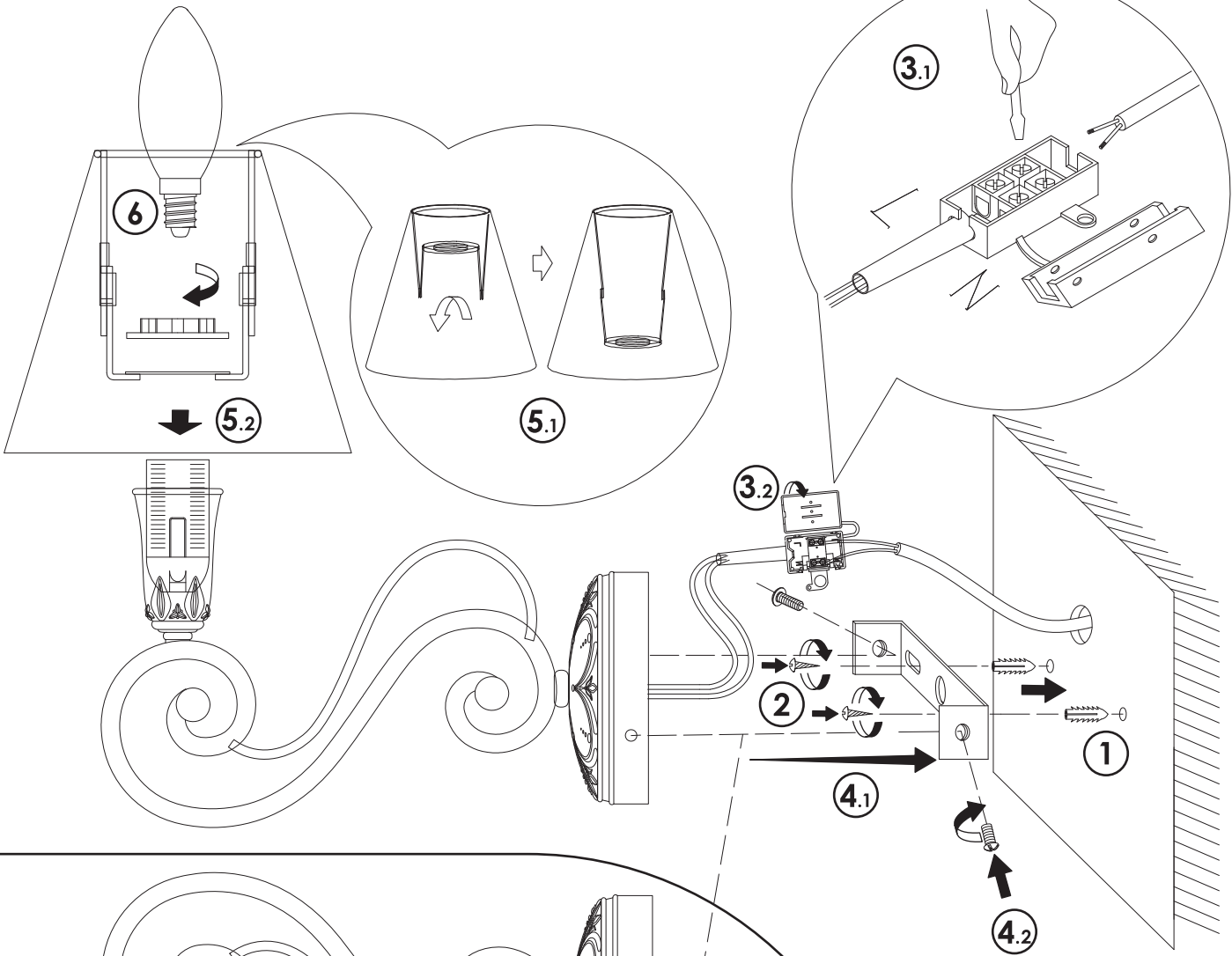
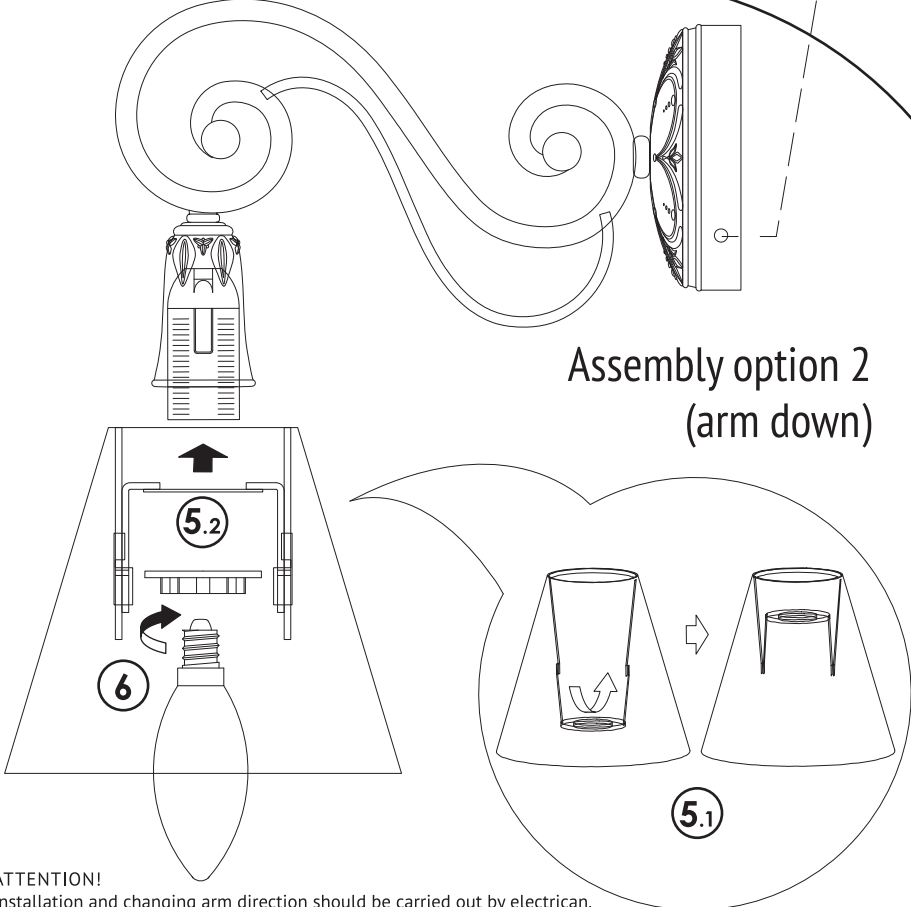


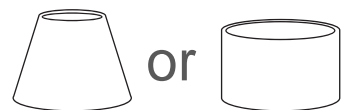
Assembly option 1
(arm up)



Assembly option 2
(arm down)



ATTENTION!
Installation and changing arm direction should be carried out by electrician.
Power should be cut off before cleanliness or bulbs changing



Wall-mounted

Instruction

