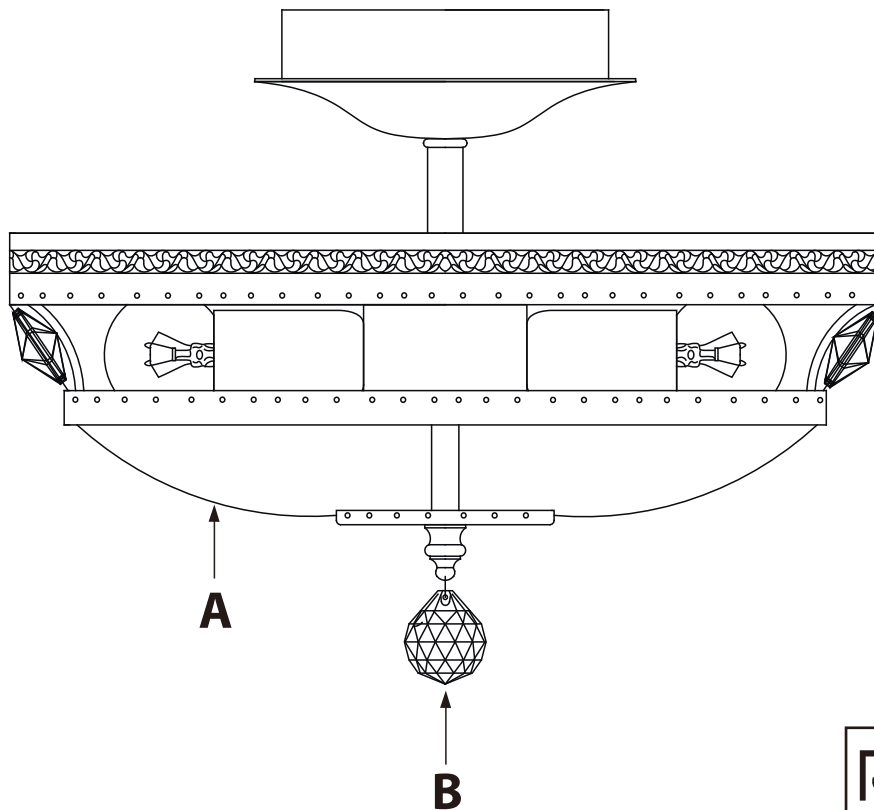
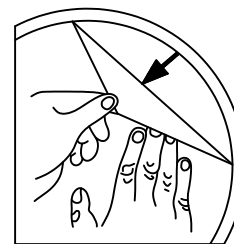


# Instruction

Collection: Diamant crystal  
Series: Otilia  
Model: DIA700-CL-03-N  
Pendant lamp



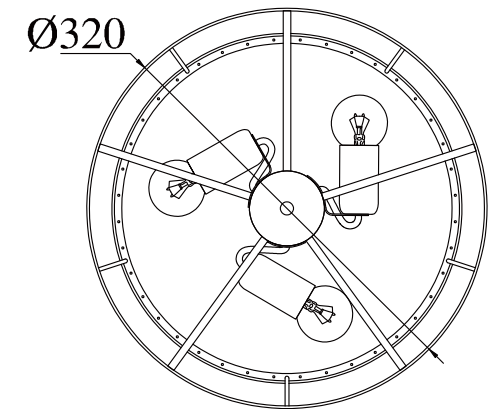
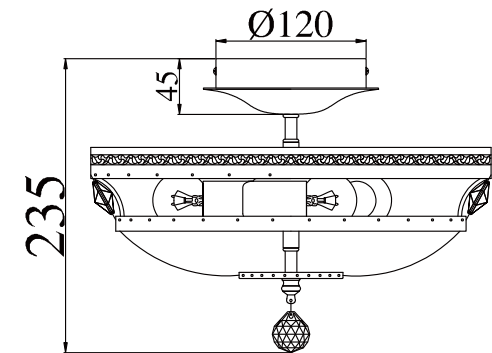
A=20  
B=1



REMOVE COVER  
BEFORE USING LAMP



– Pendant lamp



3 x E14 (60w)

**MAYTONI**  
DECORATIVE LIGHTING

[www.maytoni.de](http://www.maytoni.de)