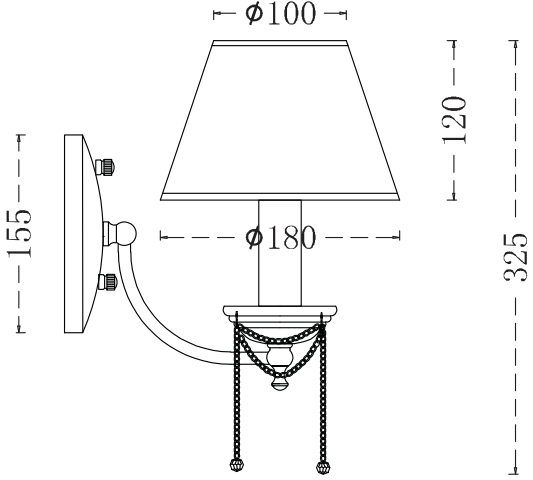
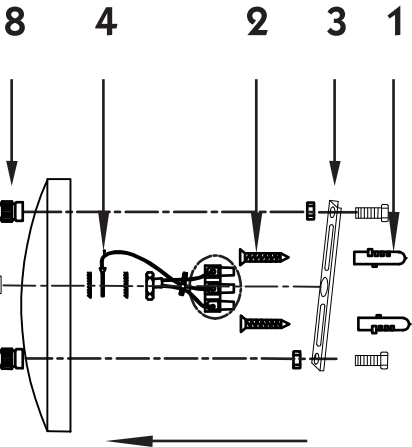
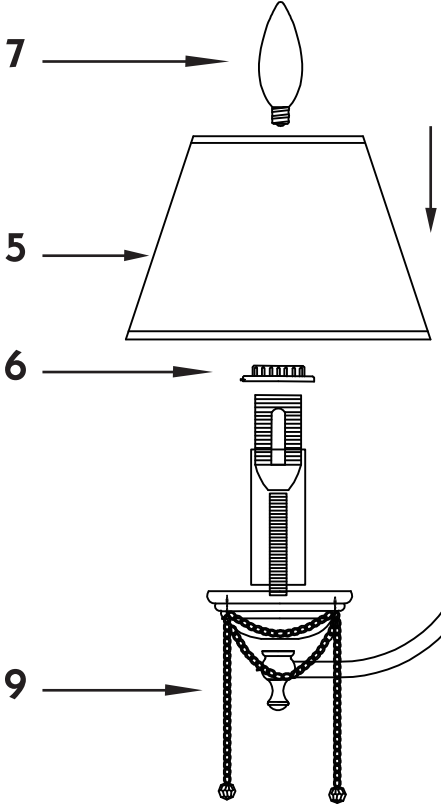
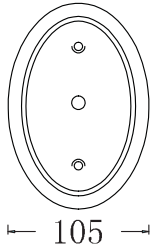


# Instruction

Collection: Royal Classic  
Series: Chester  
Model: CL0100-01-R  
Wall-mounted



252



1 x E14 (60w)

**MAYTONI**  
DECORATIVE LIGHTING

[www.maytoni.de](http://www.maytoni.de)