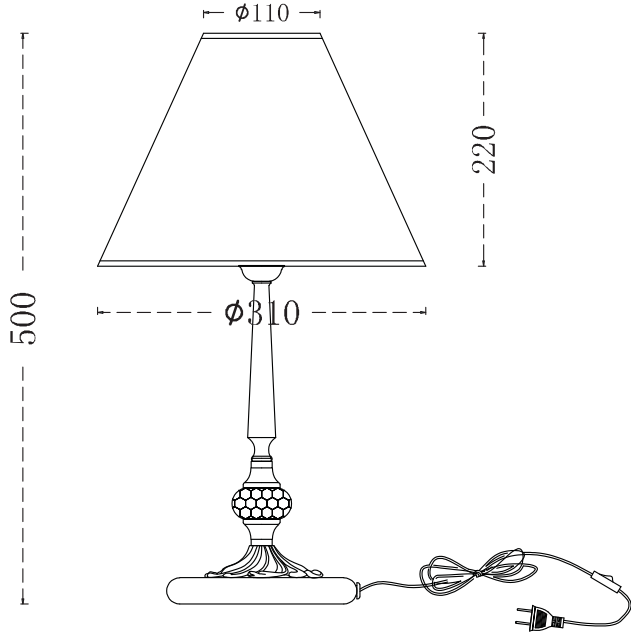
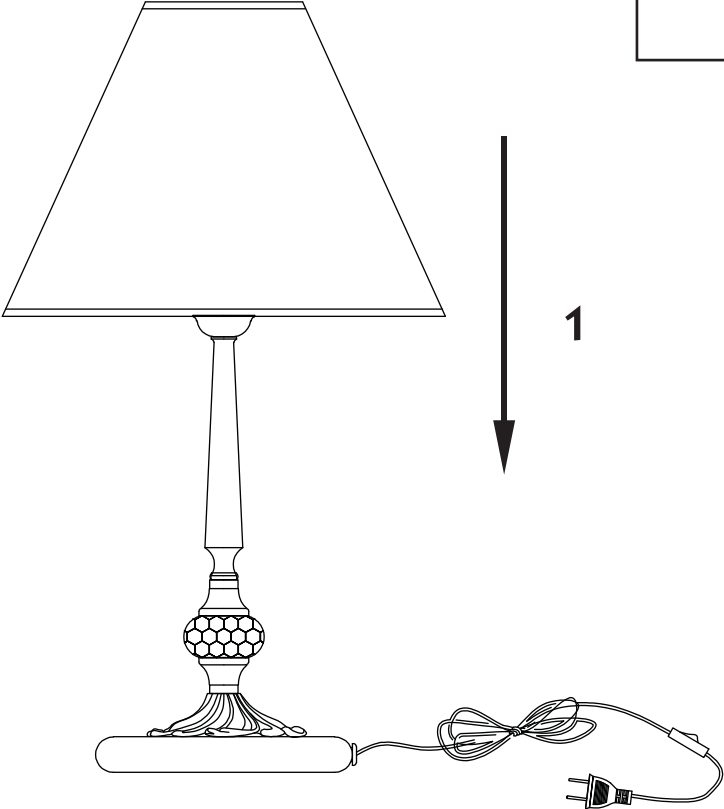



Instruction

Collection: Royal Classic
Series: Chester
Model: CL0100-00-R
Mobile




1 x E14 (60w)

MAYTONI
DECORATIVE LIGHTING
www.maytoni.de