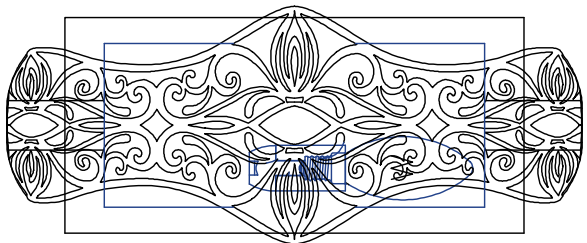
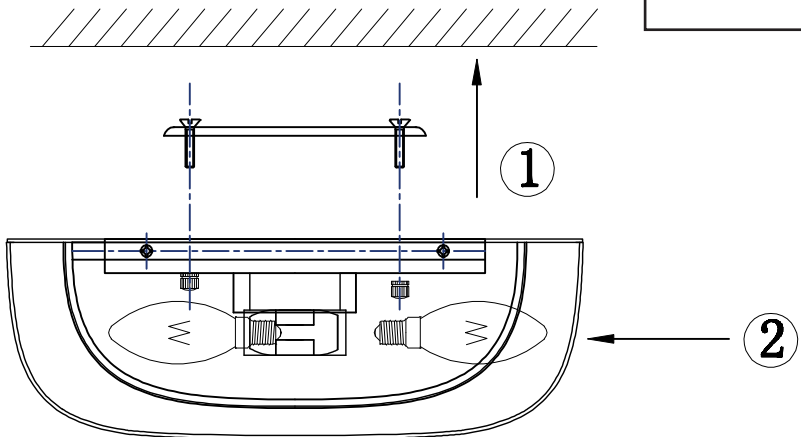
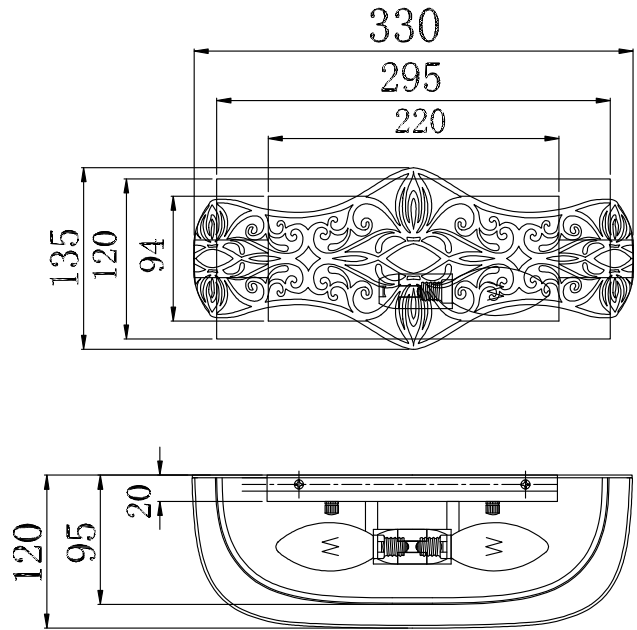



Instruction

Collection: Elegant
Series: Burgeon
Model: ARM959-WL-02-G
Wall-mounted



- Wall-mounted




2 x E14 (40w)

MAYTONI
DECORATIVE LIGHTING

www.maytoni.de