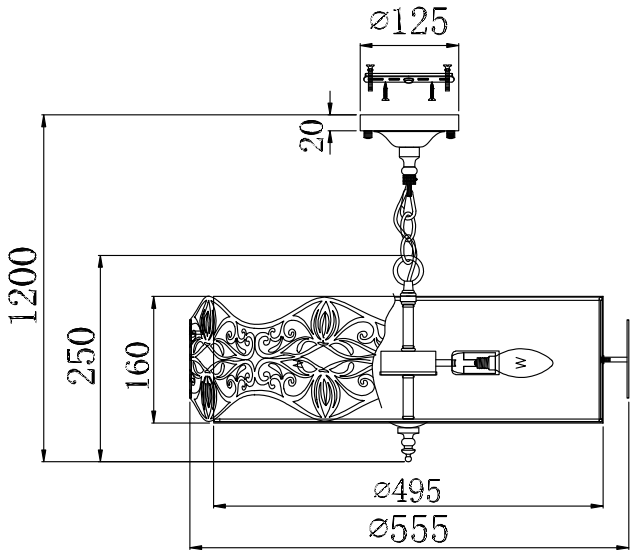
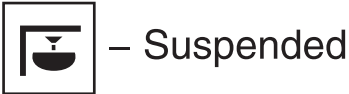
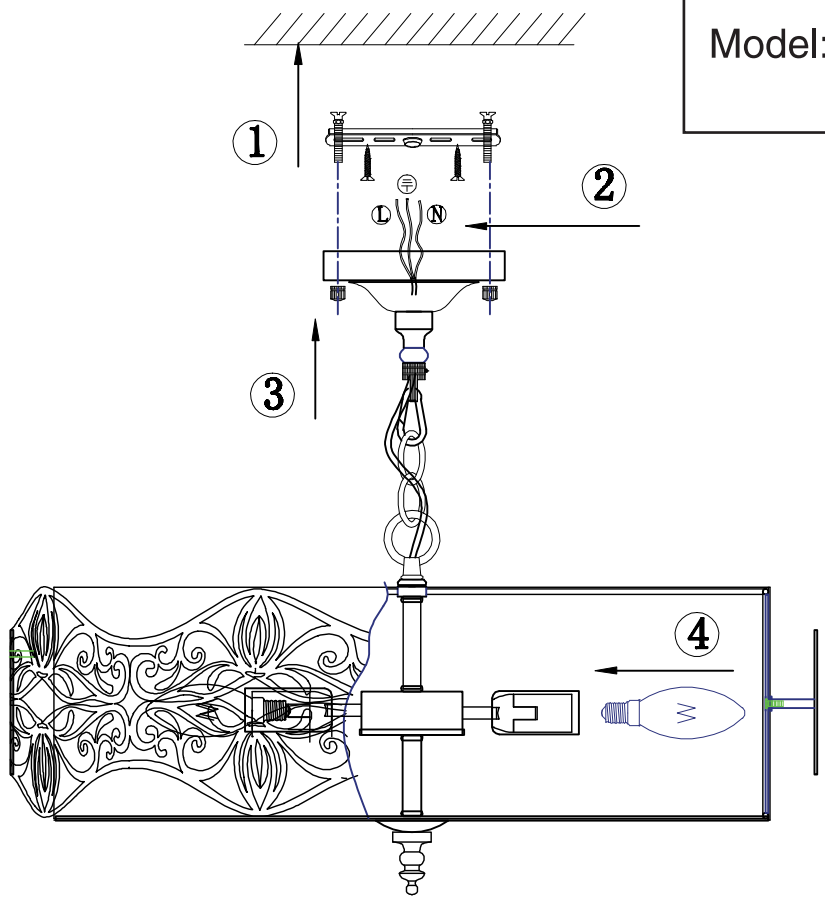



# Instruction

Collection: Elegant  
Series: Burgeon  
Model: ARM959-PL-06-G  
Suspended



  
6 x E14 (40w)

**MAYTONI**  
DECORATIVE LIGHTING

[www.maytoni.de](http://www.maytoni.de)