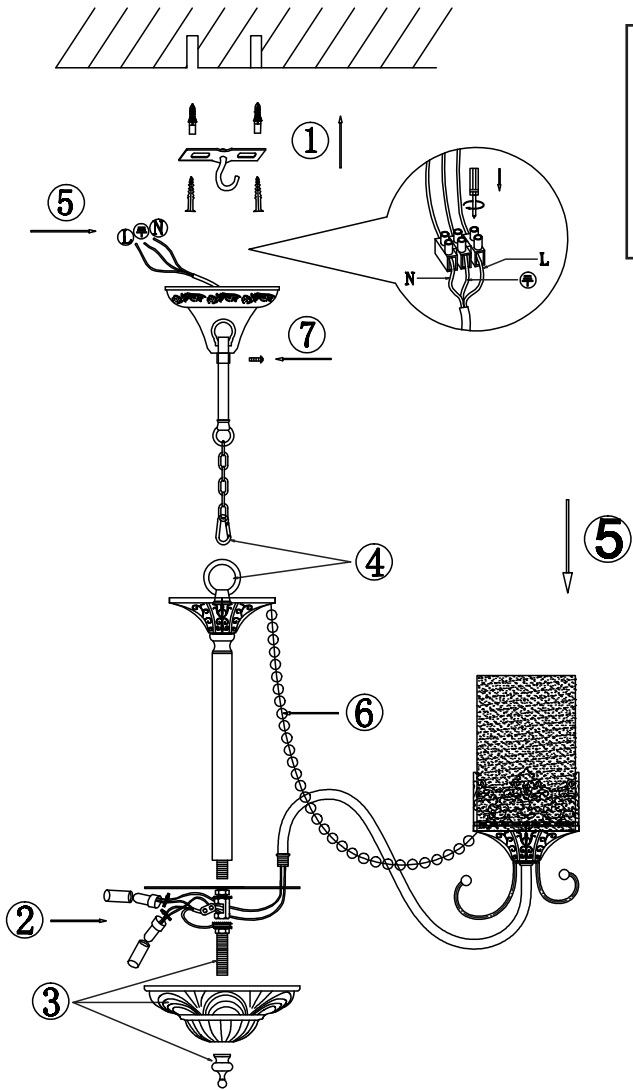
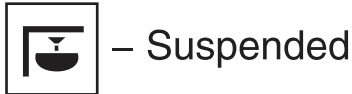


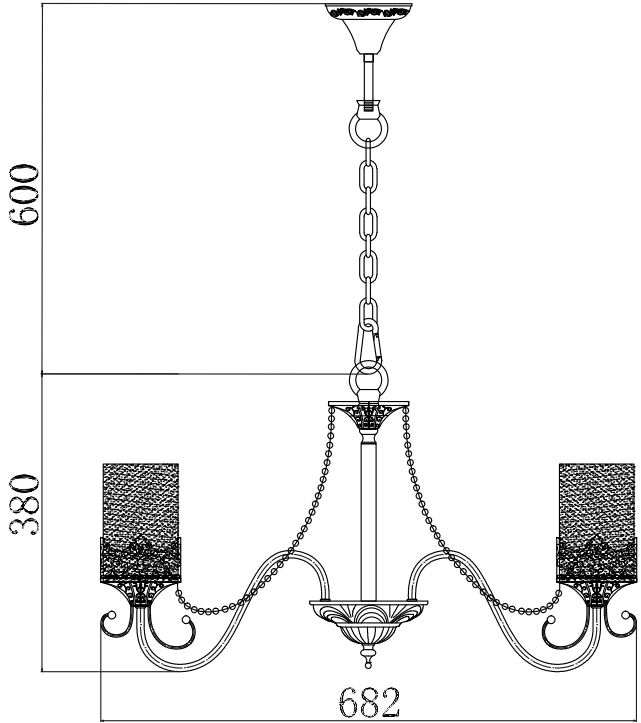
Instruction



Collection: Royal Classic
Series: Sherborne
Model: ARM563-08-R
Suspended



- Suspended



8 x E14 (60w)

MAYTONI
DECORATIVE LIGHTING

www.maytoni.de