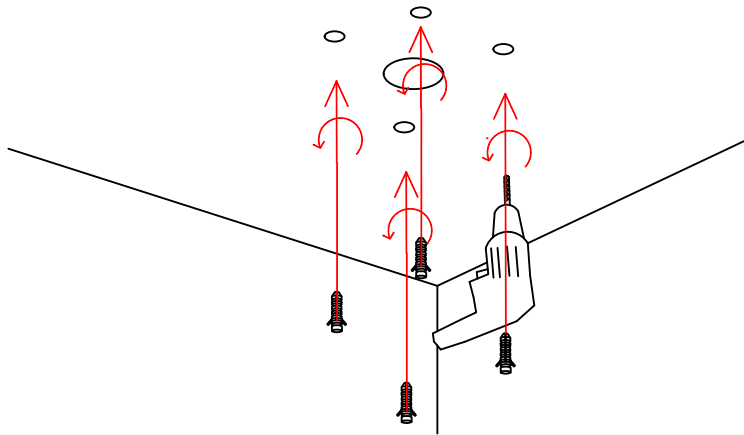
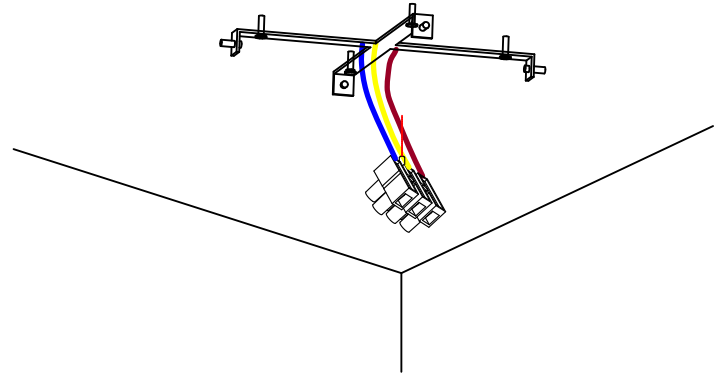


# Installation Diagram

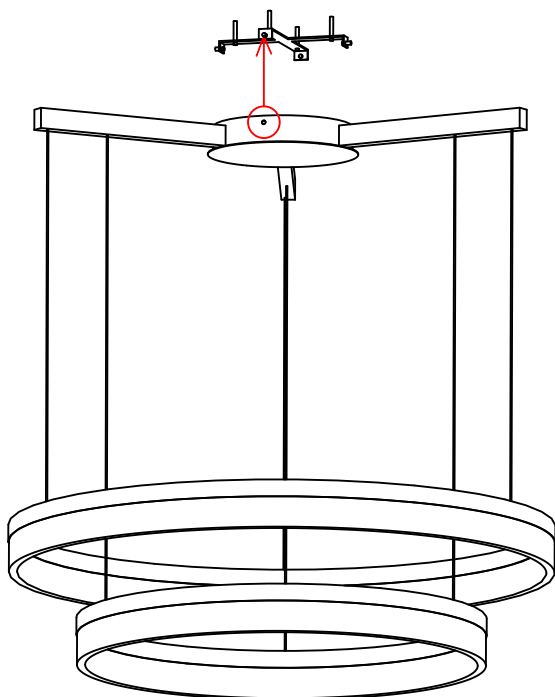
1.



2.



3.



4.

