

CUADRAX CRISTAL

● **0004046** Níquel satinado-*Satin nickel*
8L× G9 máx. 5W Led (incl)

● **0996** Cuero-*Antique brass*
8L× G9 máx. 5W Led (incl)

● **0004045** Níquel satinado-*Satin nickel*
6L× G9 máx. 5W Led (incl)

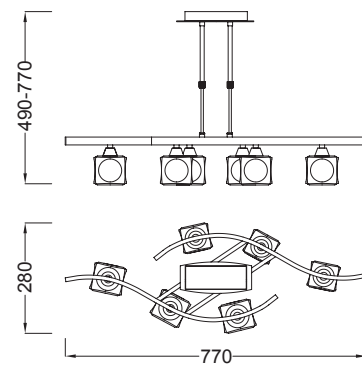
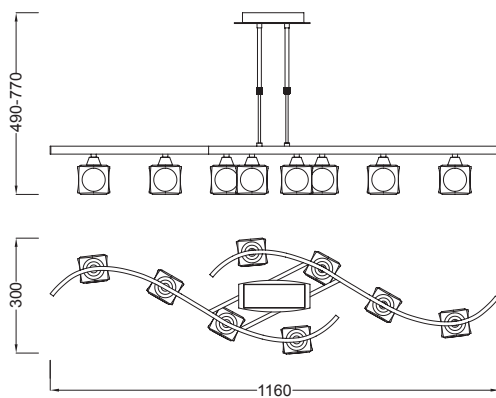
● **0995** Cuero-*Antique brass*
6L× G9 máx. 5W Led (incl)



0996



0004045



Metal/Cristal-Metal/Crystal 100-240V~ 50/60Hz