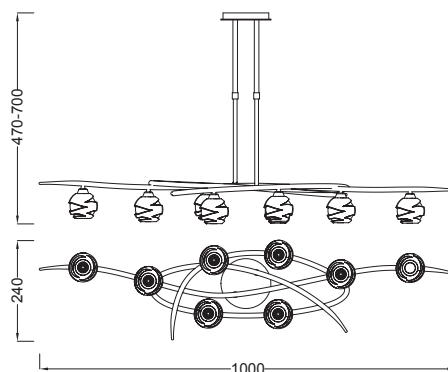
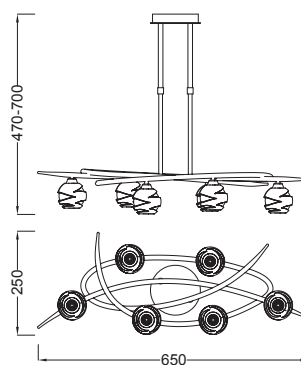


# LOOP

● **1820** Cuero-Antique brass  
8L× G9 máx. 5W Led (incl)



● **1821** Cuero-Antique brass  
6L× G9 máx. 5W Led (incl)



Metal/Cristal-Metal/Crystal 100-240V~ 50/60Hz