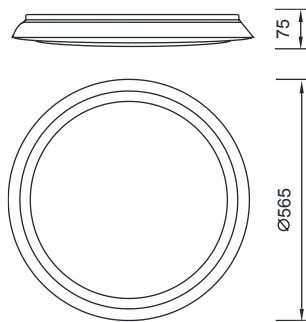
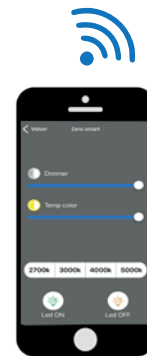
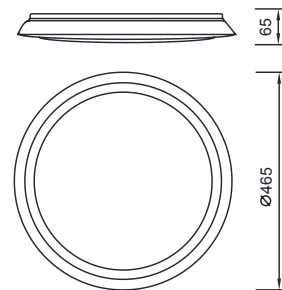


# EDGE SMART

**5949** Blanco-White  
LED 80W 3000K-5000K 4300lm



**5950** Blanco-White  
LED 56W 3000K-5000K 3000lm



R00129



Metal/Acrílico-Metal/Acrylic 220-240V~50/60Hz