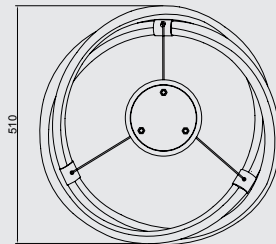
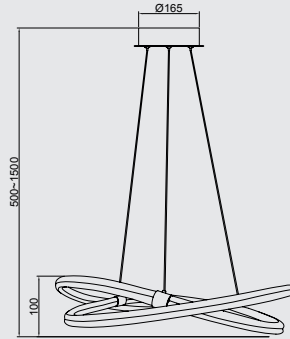


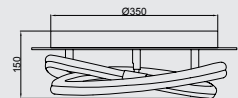
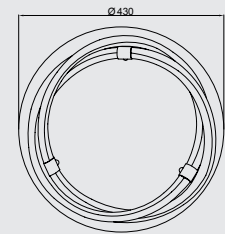
# INFINITY LINE

by José Ignacio Ballester

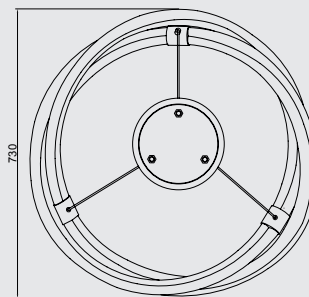
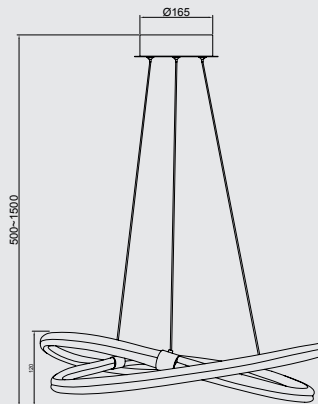
**6608** Cromo Blanco-Chrome white  
LED 42W 3000K 3150lm



**6609** Cromo Blanco-Chrome white  
LED 30W 3000K 2250lm



**6607** Cromo Blanco-Chrome white  
LED 60W 3000K 4500lm



Acero/Acrílico-Steel/Acrylic 220-240V~ 50/60Hz CRI >80